



Electrolux
PROFESSIONAL

**Modular Cooking Range Line
thermaline 85 - 900 mm Open
base, 1 Side (H2)**

ITEM # _____

MODEL # _____

NAME # _____

SIS # _____

AIA # _____



588573 (MB1ACA1000)

Open base, one-side operated - H2

Short Form Specification

Item No. _____

900 mm wide open base compartment to store pots, pans, sheet pans, etc. with hygienic design and round edges. Unit constructed according to DIN 18860_2 with 70 mm recessed plinth. Internal frame for heavy duty sturdiness in stainless steel. Flat surface construction, easily cleanable.

IPX5 water resistant certification.

Configuration: One side operated freestanding base, hygienic class H2.

Main Features

- All major components may be easily accessed from the front.
- Open base compartment for storage of pots, pans, sheet pans, etc.
- Unit to be placed below modular top appliances to store pots, pans, sheet pans, etc.

Construction

- Hygienic design of the open base compartment with large round edges.
- 2 mm top in 1.4301 (AISI 304).
- IPX5 water resistance certification.
- Flat surface construction with minimal hidden areas to easily clean all surfaces
- Internal frame for heavy duty sturdiness in stainless steel.

Optional Accessories

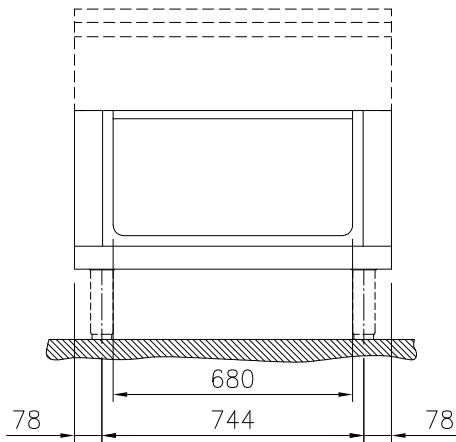
- Stainless steel front kicking strip, 900mm width PNC 912635
- Stainless steel side kicking strip left and right, wall mounted, 850mm width PNC 912659
- Stainless steel side kicking strip left and right, back-to-back, 1700mm width PNC 912662
- Stainless steel side panel (12mm) 850x700mm, right side, against wall PNC 913003
- Stainless steel side panel (12mm) 850x700mm, left side, against wall PNC 913004
- - NOT TRANSLATED - PNC 913235
- - NOT TRANSLATED - PNC 913261
- - NOT TRANSLATED - PNC 913262
- - NOT TRANSLATED - PNC 913283
- STAINLESS STEEL DIVIDING PANEL 850X700MM LEFT/RIGHT PNC 913670
- STAINLESS STEEL SIDE COVER PANEL, FLUSH 850X700MM LEFT/RIGHT PNC 913686

APPROVAL: _____

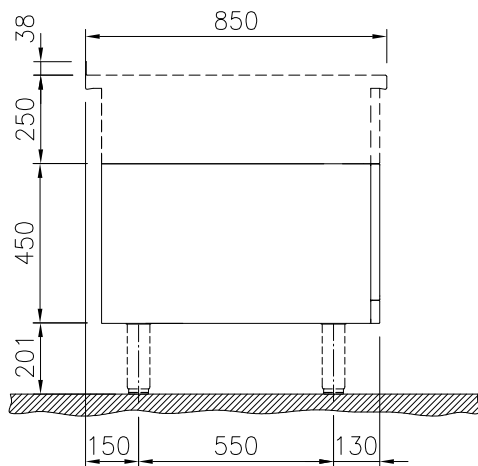


Experience the Excellence
www.electroluxprofessional.com

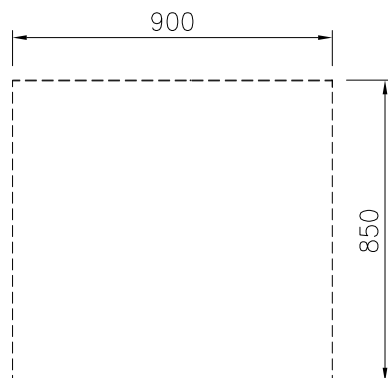
Front



Side



Top



Key Information:

External dimensions, Width:	
588573 (MB1ACA1000)	900 mm
External dimensions, Depth:	850 mm
External dimensions, Height:	450 mm
Cupboard Cavity Dimensions (width):	680 mm
Cupboard Cavity Dimensions (height):	330 mm
Cupboard Cavity Dimensions (depth):	740 mm
Net weight:	22 kg